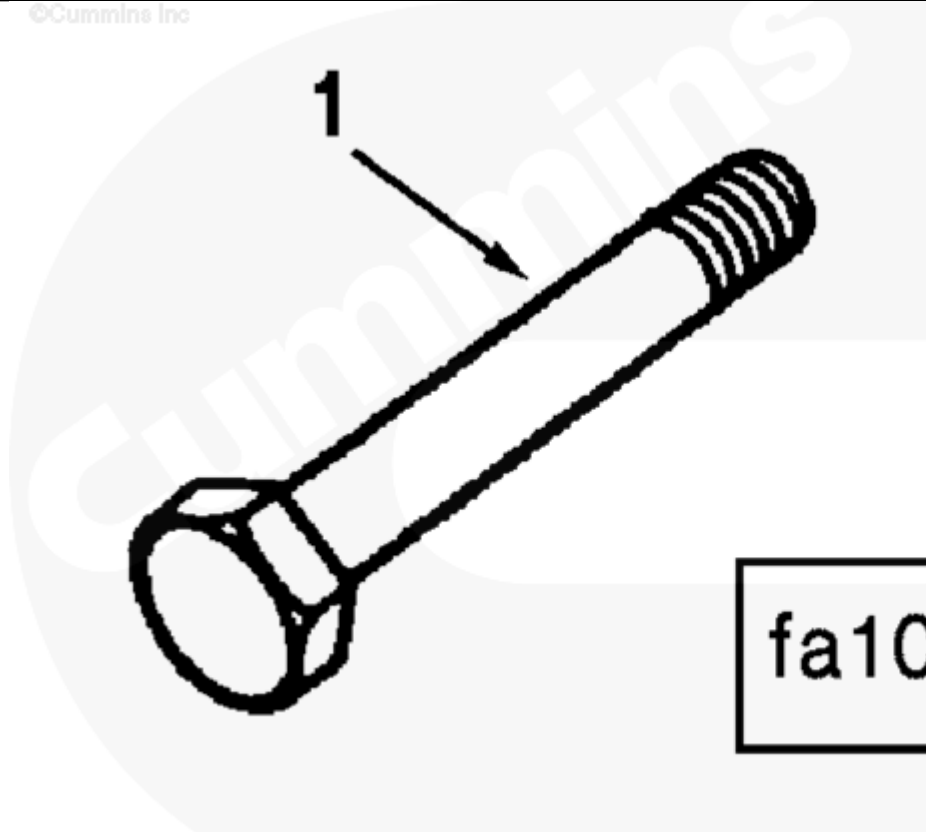




Parts Catalog - Option Detail

Electronic Parts Catalog - Option Detail				
Option	Group	Graphic	Film Card	Date
TH1704	08.07	fa102gk	F	15-FEB-94
Engines	NH/NT 855, NT495, NT743, NTA855 N106			


©Cummins Inc



fa102gk

[SMALL](#) | [MEDIUM](#) | [LARGE](#)

Cart	Ref No	Part Number	Part Description	Required	Remarks
View My Cart					
		TH1704	Thermostat Housing		
					Thermostat Housing
					For use when the corrosion
					resistor bracket does not
					mount on the thermostat
					housing.

	1	3010597	Captive Washer Cap Screw	2	3/8 - 16 X 3 3/4 in.
---	---	-------------------------	--------------------------	---	----------------------

© 2019 Cummins Inc., Box 3005, Columbus, IN 47202-3005 U.S.A.
Terms of Use and Disclaimers | Recommended System Requirements
Need Assistance? Please click on the Contact Us button in the top right corner of any page.